



IOPAK ACCUMULATING/ UNSCRAMBLING TABLE (S/S) RT-1200

STOCK ITEM: 14689

Unscrambling Table is used in the beverage, food, packaging and chemical industries.



PPN MACHINERY
PROPRIETARY
LIMITED
THE COMPLETE PACKAGE

PROCESSING & PACKAGING EQUIPMENT CUSTOM DESIGN SERVICES

For more information on this machines call sales: +61 3 9791 7011 or any others visit: www.iopak.com



IOPAK ACCUMULATING/ UNSCRAMBLING TABLE (S/S) RT-1200

Accumulating / Unscrambling Table is used in the beverage, food, packaging and chemical industries.

TECHNICAL SPECIFICATIONS

Rotary Table Top Dimensions:

1,200mm Diameter

Working Height:

800 - 1,000mm (Adjustable)

Power Supply:

1-Phase, 240V, 50Hz

Variable Speed:

Included

Max Load Capacity: 15Kg

(Average Distribution)

FEATURES

Fully Shrouded in SUS304

with all S/S contacts

Reverse Rotation

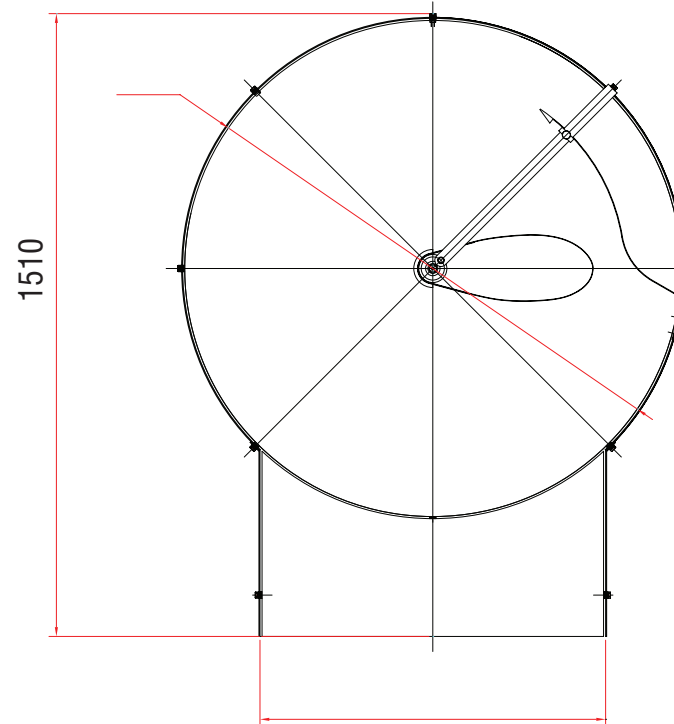
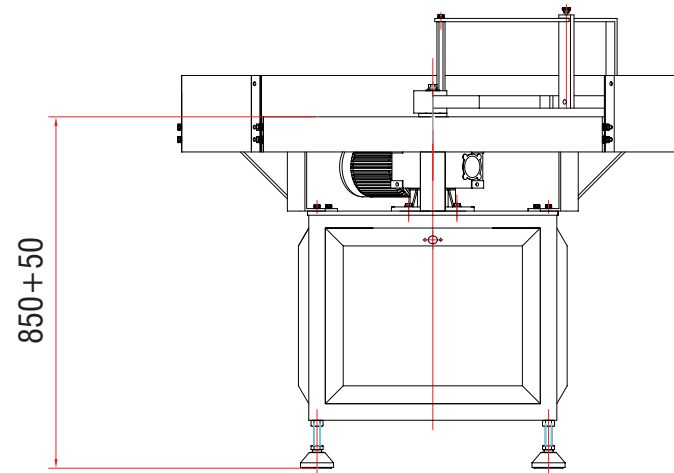
Adjustable Height

Lazer Cut Polished S/S Table Top

Ensuring a Precision Profile

Optional extra:

Lockable Castors



PROCESSING & PACKAGING EQUIPMENT CUSTOM DESIGN SERVICES

For more information on this machines call sales: +61 3 9791 7011 or any others visit: www.iopak.com