

iopak ahead of the pack

Load your mixer, mincer, cooker or any other machine with ease and simplicity. Use the all stainless steel new IOPAK Fixed Bin Lifter with its own bin - very reasonably priced! We can supply any number of extra bins -just ask our sales staff for a quote..

FIXED BIN LIFTER WITH S/S BIN

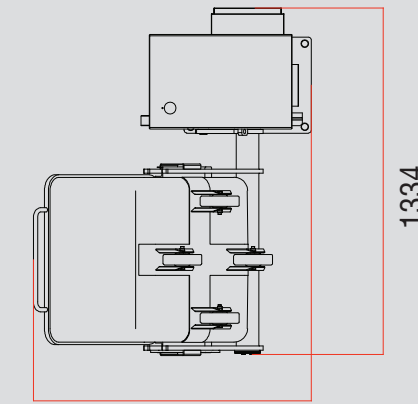
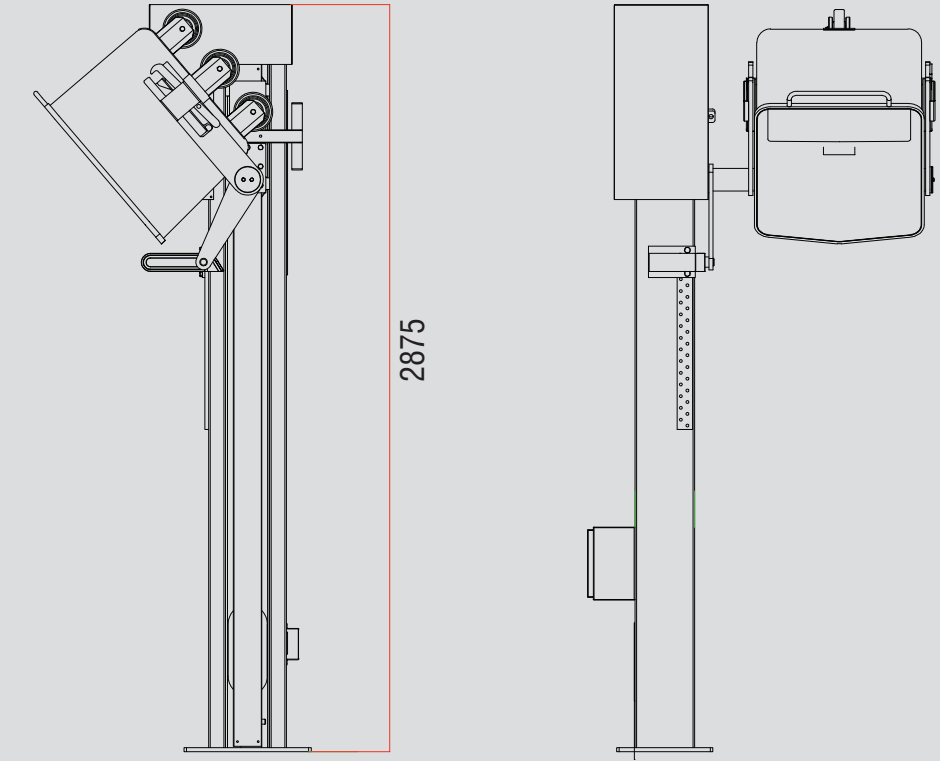


FIXED BIN LIFTER WITH S/S BIN

STOCK ITEM: 16048

Specifications

- Lifting Capacity: Max 200 Kg
- Discharge Height: Standard 1900 mm
- Option up to 2500mm Discharge Height
- Lifting Speed: 3 m/min
- S/S Bin Dimensions: 750 L x 700 x 720 mm (On Casters)



1069

1334

PROCESSING & PACKAGING EQUIPMENT CUSTOM DESIGN SERVICES
For more information on this machines call sales: +61 3 9791 7011 or any others visit: www.iopak.com

NEW & INNOVATIVE PRODUCTS



NEW & INNOVATIVE PRODUCTS

